



E & ES series



COMFORT



HEALTH



SIMPLICITY



SAVINGS



Photo © goodshoot.com - 01/2007 - Daffourd&Partners - Isabelle Perrin

DELTA-UV
ULTRAVIOLET SOLUTIONS

Distributed by BIO-UV
deltauv.com

Enjoy the incomparable pool water you dream of giving to your family and guests, day after day: sparkling, silky smooth, odorless, salt-free and perfectly safe.

Give them DELTA-UV today!



E & ES series

SIMPLICITY AND HEALTH

The effectiveness of type C ultraviolet rays as a means of sanitization has been known for more than a century and has been used in various applications such as drinking water, aquaculture, fish farming and in hospitals and the pharmaceutical industry

After filtration, water then circulates through the Elektra® UV sanitizer for complete disinfection - the bacteria, viruses and algae are completely destroyed without causing any side effects or dangerous by-products.

As the water passes through the sanitizer, all micro-organisms are killed, leaving the cleanest and purest water possible for return back into your pool. This effectiveness allows you to lower the amount of chemicals that you will use in your pool by 50%. Unfortunately it is not possible to build a pool where 100% of the water passes through a filter, so you will still need to maintain a small residual of chemicals in your pool at all times in order to kill any micro-organisms that do not find their way into the UV sanitizer.



ES 40 ES 20 ES 10 ES 5



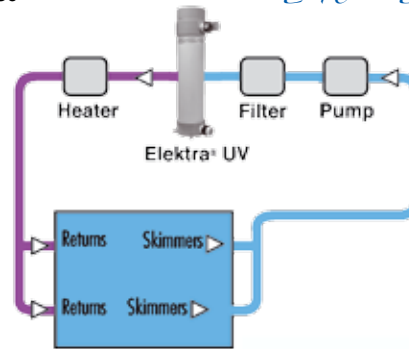
E 40 E 20 E 10 E 5

COMFORT

- A treatment which can be automated with brominator or chlorinator
- Safety of disinfection
- Elimination of the odors and irritations of the skin, mucous membranes and eyes and hair discoloration
- More environmentally friendly
- Simple, reliable
- Salt-free, corrosion-free
- Compatible with all types of coatings and filters
- Danger-free for the bathers

SAVINGS

- Approximately 40-50% less chemical use
- Lamp replacement every 3 seasons
- Easy and quick installation and maintenance
- No electronics



E/ES UV model	Max. Flow Rate GPM	Max. Flow Rate m3/h	Performance in millijoules per cm2 at actual recommended flow rates	Pressure Max.	UV lamp power	Diameter of reactor	Total height	Inlet/outlet diameter PVC union
E/ES 5	31	7	30mj/cm2	40 psi - 3 bars	1 x 30W	8" - 203 mm	17.75" - 450.8 mm	2"
E/ES 10	57	13	30mj/cm2	40 psi - 3 bars	1 x 58W	8" - 203 mm	24.75" - 627 mm	2"
E/ES 20	80	18	30mj/cm2	40 psi - 3 bars	1 x 80W	8" - 203 mm	38.87" - 987 mm	2"
E/ES 40	110	25	30mj/cm2	40 psi - 3 bars	1 x 90W	8" - 203 mm	46" - 1168 mm	2"

Note: Model upsizing can be utilized for maximum sanitization.

Technical Specifications:

- Power Input: 240V or 120V/50/60Hz
- Housing: E Series-special 8" PVC Plastic
ES Series-special 8" PVC Plastic with Stainless Steel Reflective Inner Wrapper & Mirror Polished Stainless Steel Outer Wrapper
- Ballast: Electronic
- Lamp: High Output - Low Pressure (13,000 Hrs.)
- Dry Fire Protection: Yes
- Pressure Gauge: Yes
- Indoor/Outdoor Installation: Yes
- Limited Warranty: 3 Years ES-Series/2 Years E-Series (1 Year Bulb)
- Plumbing Options: 2", 50mm, 60mm, 75mm PVC Unions

